

Contact us

ABB S.p.A.
 Electrification Business
 Viale dell'Industria, 18
 20009 Vittuone (MI) Italy
<https://new.abb.com/low-voltage>

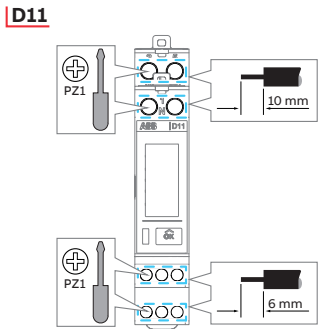
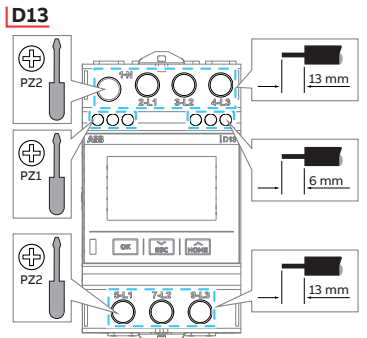
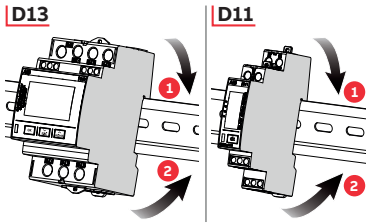
Warning! Installation by person with electrotechnical expertise only.
 Warnung! Installation nur durch elektrotechnische Fachkraft.
 Avvertenza! Fare installare solo da un elettricista qualificato.

QR Code for online User Manual

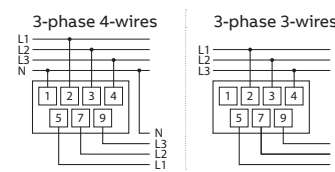
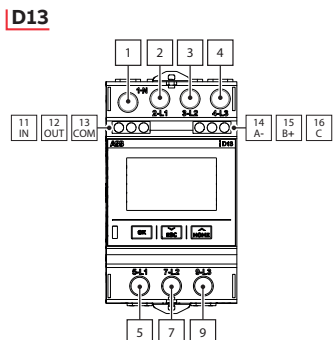


© Copyright 2024 ABB S.p.A. All rights reserved. Specification subject to change without notice.

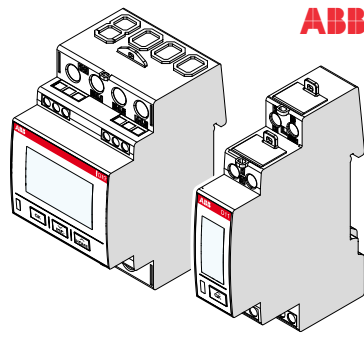
1. Mounting & Installation



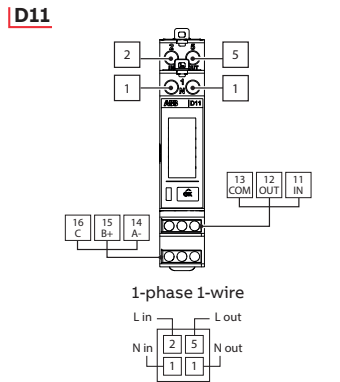
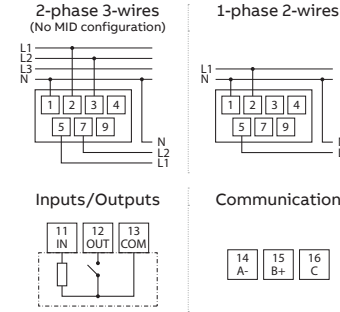
1.1. Wiring Diagram



9AKK08469A1D75 Rev. A July 2024



Energy Meter INSTALLATION MANUAL D13 - D11



	RS485-Modbus RTU version	MBUS version
A	Data -	MBUS A
B	Data +	MBUS B
C	Common	Not Used

2. Button explanation

Button	Function
OK	Confirm
HOME	Press: Scroll up / Increase a digit; Hold: Return to the main menu
ESC	Press: Scroll down / Decrease a digit; Hold: Return to the option previous
OK	Press: Scroll up / Increase a digit; Hold: Confirm

D11: To return to the previous menu, scroll through the menu until you reach "exit", then select it by holding **OK**.

D11-D13: The option/digit that is active for setting is flashing. When the flashing on the option has stopped, the setting has been performed.

D13 MidLock 1kWh: Once an energy consumption of 1kWh has been reached, the meter will enter Midlock and wiring setting can no longer be modified in accordance with the European MID directive. Default wiring setting: 3P4W=3phase+N

3. Main menu structure D13 - D11



4. Fast Setup

Turning on the meter for the first time, it will be possible to do a fast setup.

